

# IV-HP SERIES

INTERCHANGE > with similar couplings (High Pressure)



## TECHNICAL FEATURES AND OPTIONS

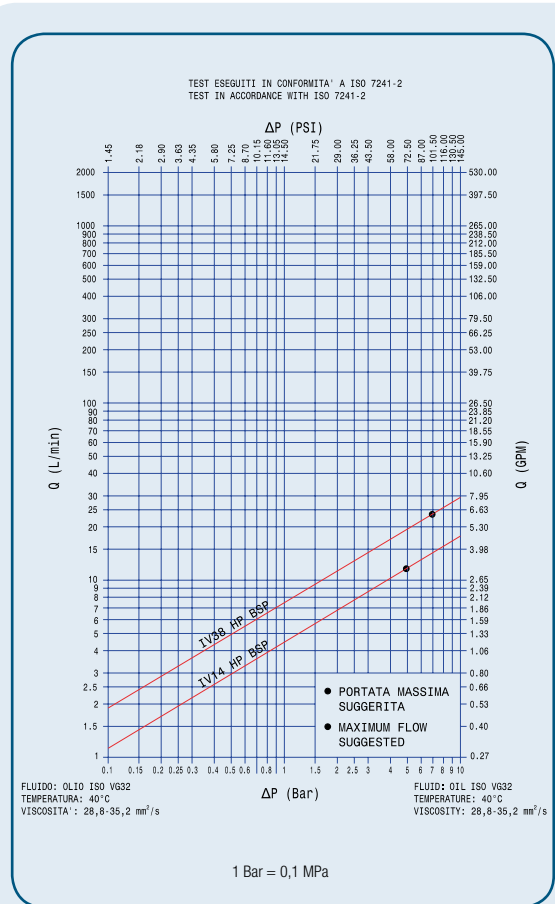
<b>Interchange</b> With similar couplings (High Pressure)	<b>Sealing description</b> Nitrile NBR	<b>Connection system</b> Screw
<b>Available sizes</b> from 1/4" to 3/8"	<b>Material</b> High strength carbon steel	<b>Available threads</b> NPT
<b>Operating pressure</b> Up to 700 bar	<b>Locking mechanism</b> Screw to connect	<b>Flow rate</b> Up to 23 L/Min
<b>Temperature (°C)</b> -20° / +100°	<b>Valving style</b> Ball	<b>Connection under pressure</b> Connection: not allowed Disconnection: not allowed

## BENEFITS

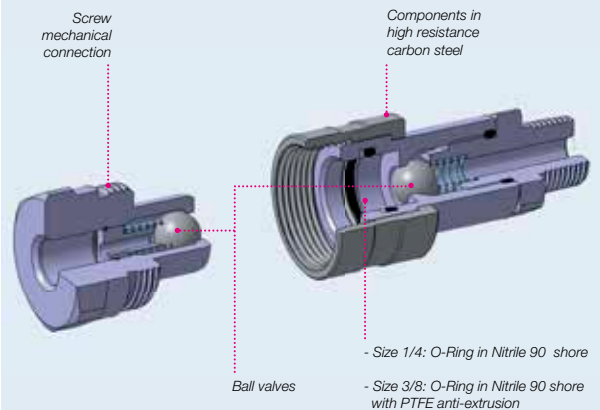
- Ball valves in hardened steel provide a good wearing resistance.
- Compact slim design.
- Simple to use.

## HOW TO USE

- Before to connect, clean the mating surface of the couplings to avoid dirt inclusion in the circuit.
- To connect insert the male coupling in the female coupling, move forward the sleeve of the female coupling and screw it manually on the male coupling till it blocks.
- To disconnect unscrew totally the sleeve from the male coupling.



HIGH PRESSURE



## MAIN APPLICATIONS





## PERFORMANCES

Size	Series/Size	Max. flow suggested		Max. operating pressure	
		l/min	GPM	MPa	psi
1/4	IV14HP	12	3,18	70	10.000
3/8	IV38HP	23	6,10	70	10.000

### Temperature range:

- Standard seals NBR (Nitrile): from -20 °C to +100 °C ( from -4 °F to +212 °F).

Please read carefully "instruction and warning" for proper selection of the products.



## WARNING

A defect, a wrong choice or an improper use of products, can cause injury to persons, animals and objects.

Never connect or disconnect with dynamic pressure (e.g. pump on).

Do not use the coupling disconnected with high impulse pressure.

Do not couple-uncouple with flow and/or pressure in the circuit.

Do not couple-uncouple when the temperature inside of the circuit is higher than 80 °C (176 °F).

Check the maximum allowable working pressure of the port in use.

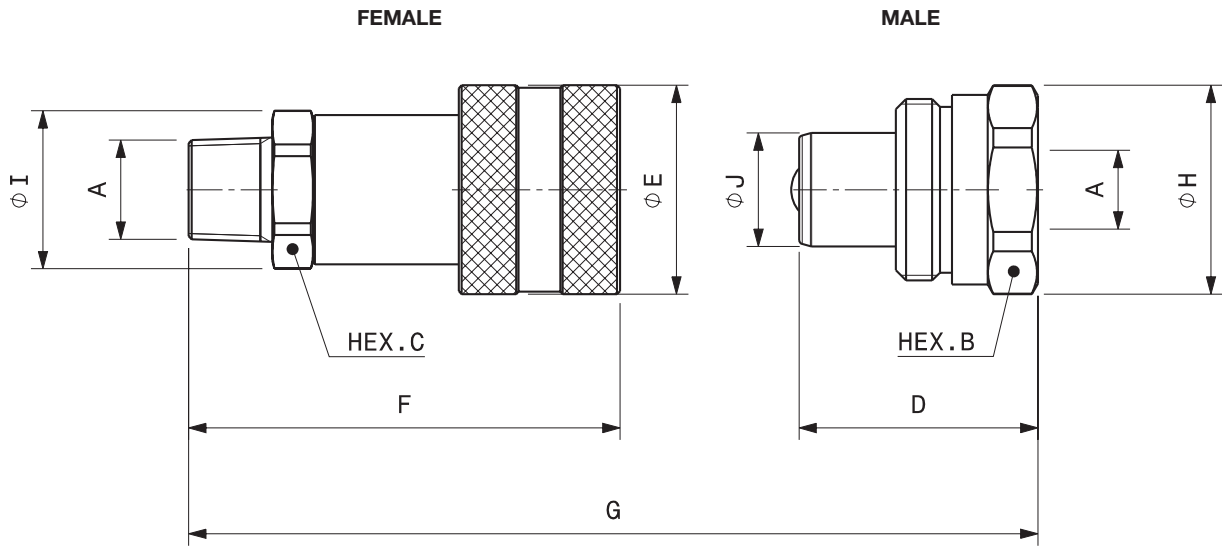
Make sure that the medium used is compatible with seal and material as indicated for each series.

In case of doubt please contact Stucchi Technical Support.

The interchangeability is mentioned under the assumption that the manufacturer of the considered products has not changed any dimension.

**It is MANDATORY to read and closely follow the instructions. Last updated version always apply at time of installation, see latest written Instructions on Stucchi website ([www.stucchi.it](http://www.stucchi.it)) before selecting or using Stucchi products.**

## OVERALL DIMENSIONS



Port description: FEMALE THREAD NPT (ANSI B1.20.1)  
 MALE THREAD NPT (ANSI B1.20.1)

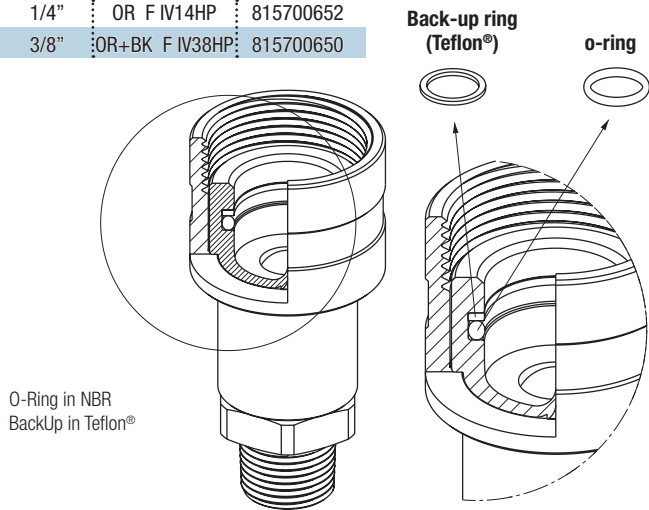
BODY SIZE	Descriptive Code	Item Code	PORT (A)	Overall Length		Length		Hex		Diameter		Diameter		Weight						
				mm	inch	mm	inch	mm	inch	mm	inch	mm	inch	Kg	Lbs					
1/4"	F IV14HP NPT EXT	Female 800201008	1/4"	G	74,5	2,93	F	60,8	1,10	C	22,0	0,87	I	24,5	0,96	E	28,0	1,10	0,14	0,30
	M IV14HP NPT	Male 800201009					D	32,5	1,28	B	19,0	0,75	H	28,0	1,10	J	15,8	0,62	0,07	0,16
3/8"	F IV38HP NPT EXT	Female 800201004	3/8"	G	86,8	3,42	F	72,2	1,38	C	24,0	0,94	I	26,5	1,04	E	35,0	1,38	0,22	0,49
	M IV38HP NPT	Male 800201005					D	40,0	1,57	B	32,0	1,26	H	35,0	1,38	J	19,0	0,75	0,14	0,31

HIGH PRESSURE



## SPARE KIT SEAL FOR FEMALE

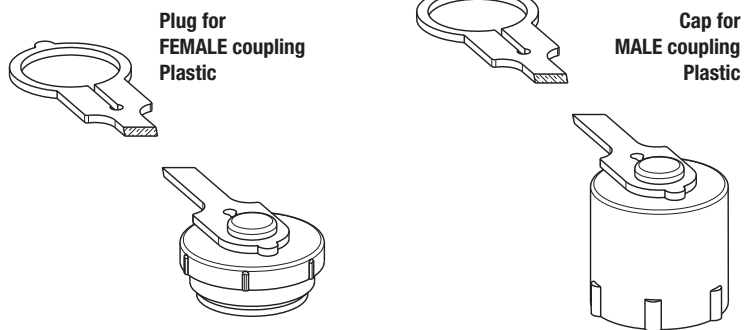
Repair kit / OR (+BK)		
Body Size	Description	Part Number
1/4"	OR F IV14HP	815700652
3/8"	OR+BK F IV38HP	815700650



## PROTECTIVE CAPS FOR IV-HP SERIES

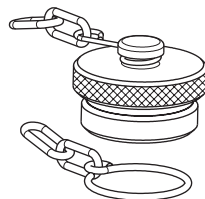
Protective caps are always recommended to protect the couplings from damage, dirt inclusion, and will increase the product life. For the IV-HP series are available two kind of materials:

- Plastic caps with lanyard (standard color: black)
- Zinc plated steel with lanyard (standard colors: natural)

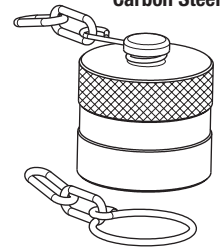


Body Size/Description	Protective Cap		Material/Color
	Plug for Female	Cap for Male	
1/4" IV14HP	815603010	815603011	Plastic/Black
3/8" IV38HP	815603012	815603013	Plastic/Black

**Plug for FEMALE coupling  
Carbon Steel**



**Cap for MALE coupling  
Carbon Steel**



Body Size/Description	Protective Cap		Material/Color
	Plug for Female	Cap for Male	
1/4" IV14HP	815605004	815605005	Carbon steel/Chrome 3
3/8" IV38HP	815605002	815605003	Carbon steel/Chrome 3